



THROWFLAME

ARC Backpack Kit User Manual



Next Level Firepower

READ THE INSTRUCTIONS AND WARNINGS IN THIS MANUAL CAREFULLY BEFORE USING THE ARC. DO NOT DISCARD THIS MANUAL.

This instruction manual should always accompany this product and be transferred with it upon sale, or when the product is loaned or presented to another person. This is a supplementary user manual. Read and follow the ARC user manual before use.



Built to last

throwflame.com



ARC Instruction Video

Assembly

Before installation, ensure the ARC is off and the fuel tank is completely empty.

1 Remove Stock Fuel

Use a 11/16" wrench to disconnect the fuel line from the fuel tank. Unscrew the two bolts attaching the fuel tank using a 4mm hex wrench. Remove the stock fuel tank.

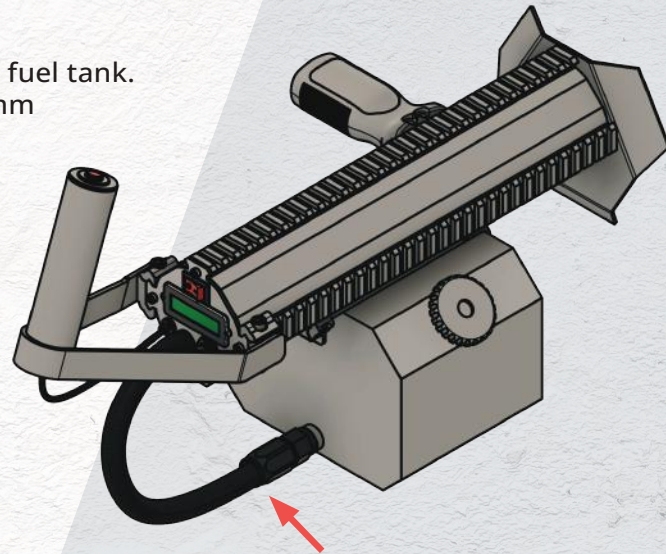
2 Attach New Fuel Line Assembly

Begin by threading the included fuel line assembly to the fitting on the backpack fuel tank. Hand tighten to start, then secure by making quarter turns with your 11/16" wrench. Torque to 20 ft-lb.

3 Join Fuel Lines

Screw the two fuel lines together. Use another wrench or clamp to secure the other fitting. Tighten to 20 ft-lb.

Tip: When screwing the fittings together, always start by hand tightening. The fittings are made of aluminum, it's important to avoid crossthreading.



Safety and Usage Guidelines:

LEAK CHECK Always check for leaks prior to use.

FILLING UP Ensure you fill the fuel tank on a grounded surface.

CHILD SAFETY Keep the fuel tank out of reach of children.

TEMPERATURE Do not use in temperatures greater than 130°F or less than 0°F.

TRANSPORT Do not transport the fuel tank while it's filled with fuel.

